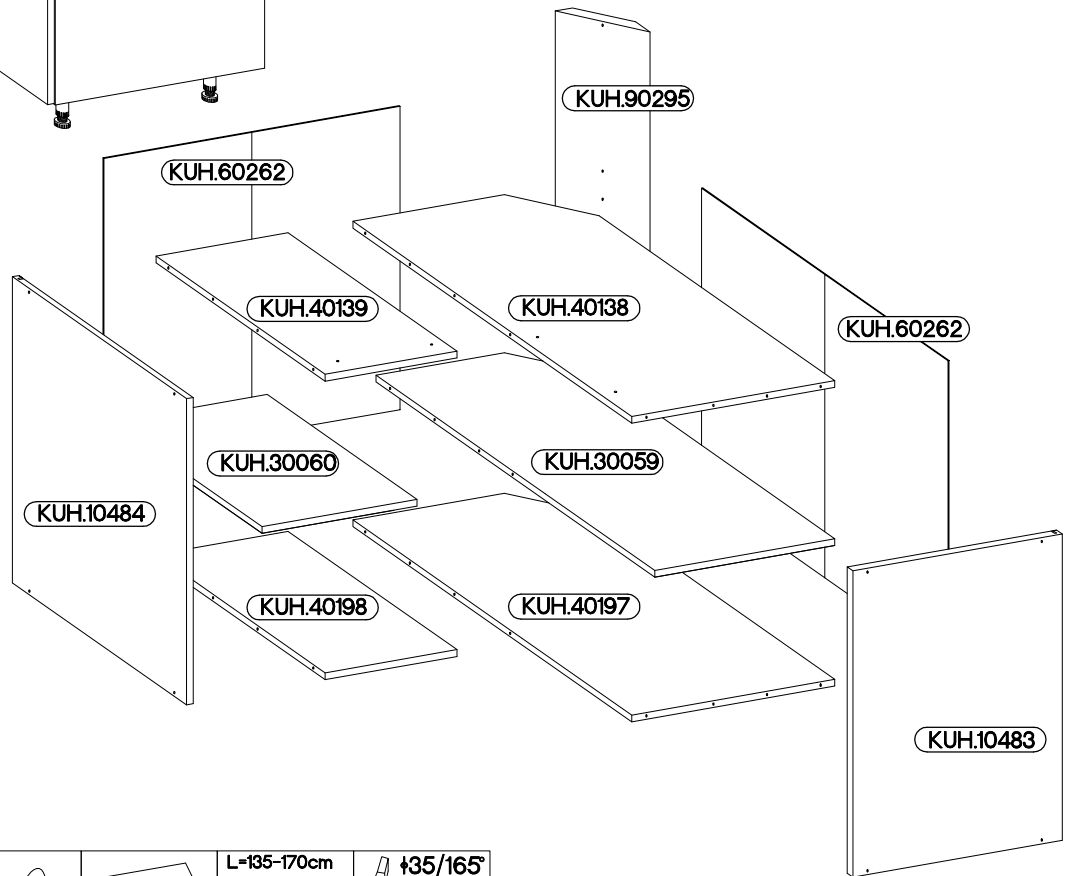
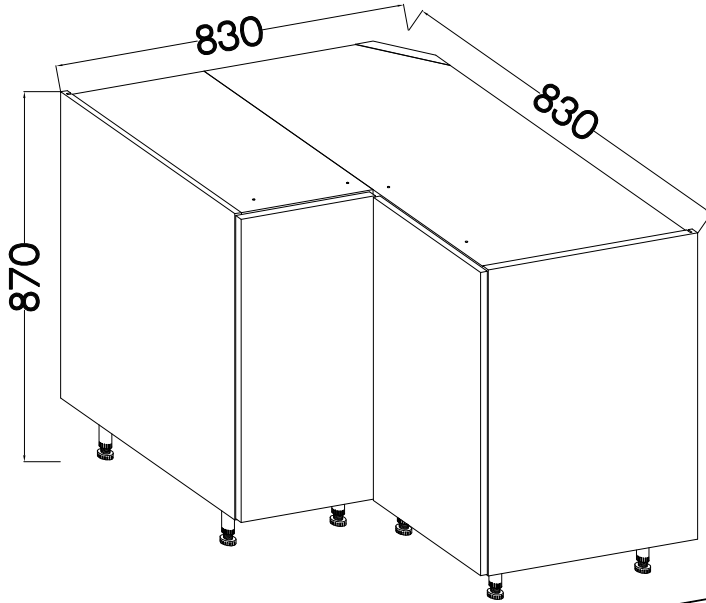
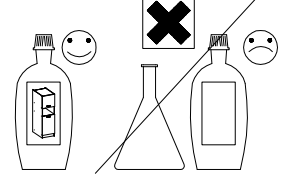


89x89 ND 2F BB



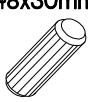
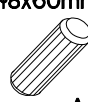

Ersatzteil Nummer	Dimension
KUH.10483	720x500x16
KUH.10484	720x500x16
KUH.30059	800x430x16
KUH.30060	370x430x16
KUH.40138	800x485x16
KUH.40139	315x485x16
KUH.40197	800x485x16
KUH.40198	315x485x16
KUH.60262 x2	713x707x2,5
KUH.90295	720x175x16

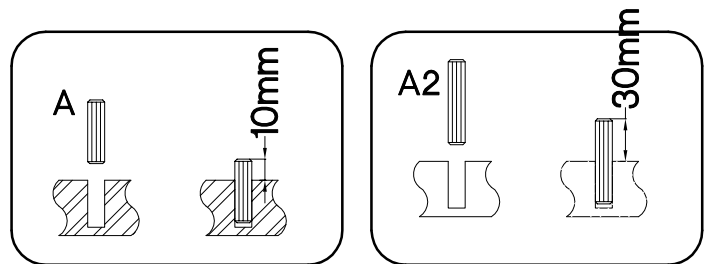
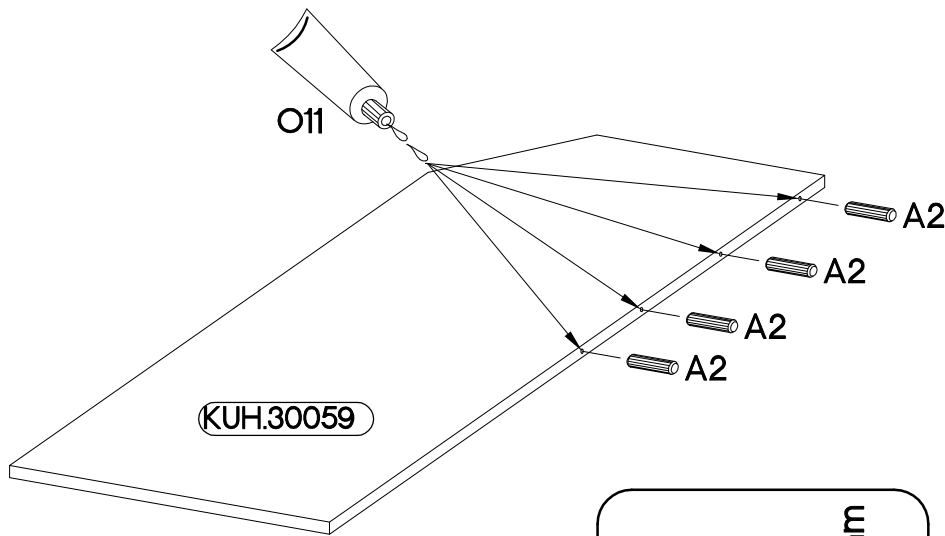
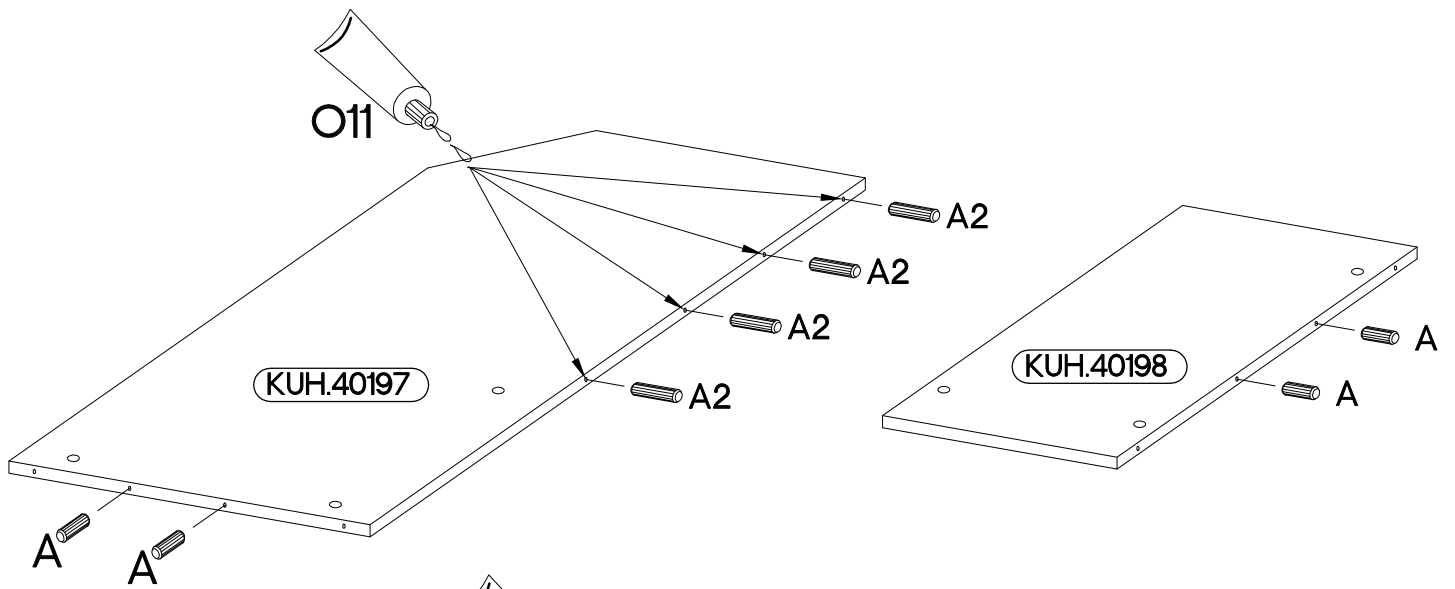
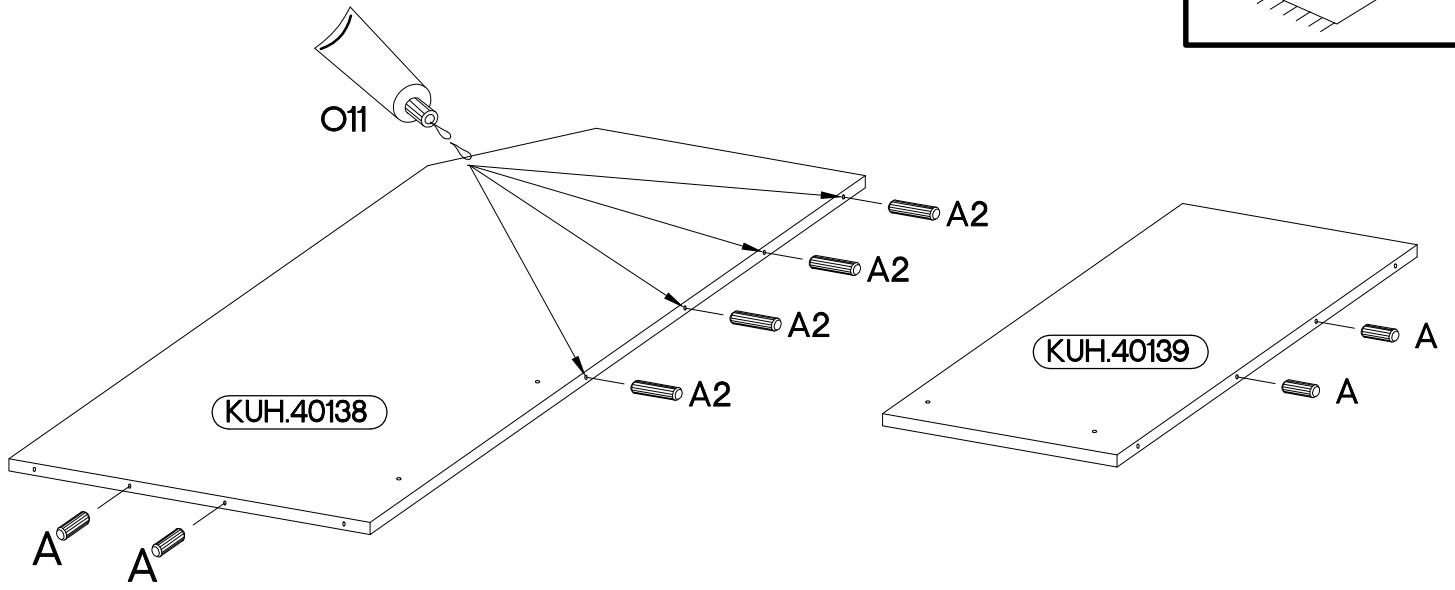
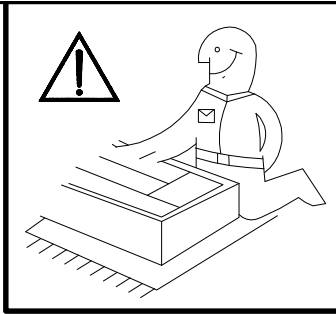
$\varnothing 8 \times 30\text{mm}$	$\varnothing 8 \times 60\text{mm}$	$6,4 \times 50\text{mm}$			L=135-170cm	$\varnothing 35/165'$
A	A2	B	E1	F16	F15	[CD] G8
8	12	10	8	4	7	4
	$\varnothing 5/19\text{mm}$			$\varnothing 3.5 \times 13\text{mm}$	$\varnothing 3.0 \times 20\text{mm}$	$\varnothing 4.0 \times 35\text{mm}$
H	J	O	O11	P5	P7	R3
4	5	1	1	36	28-32	4

max. 10kg
 KUH.30059
 KUH.30060
 KUH.40197
 KUH.40198

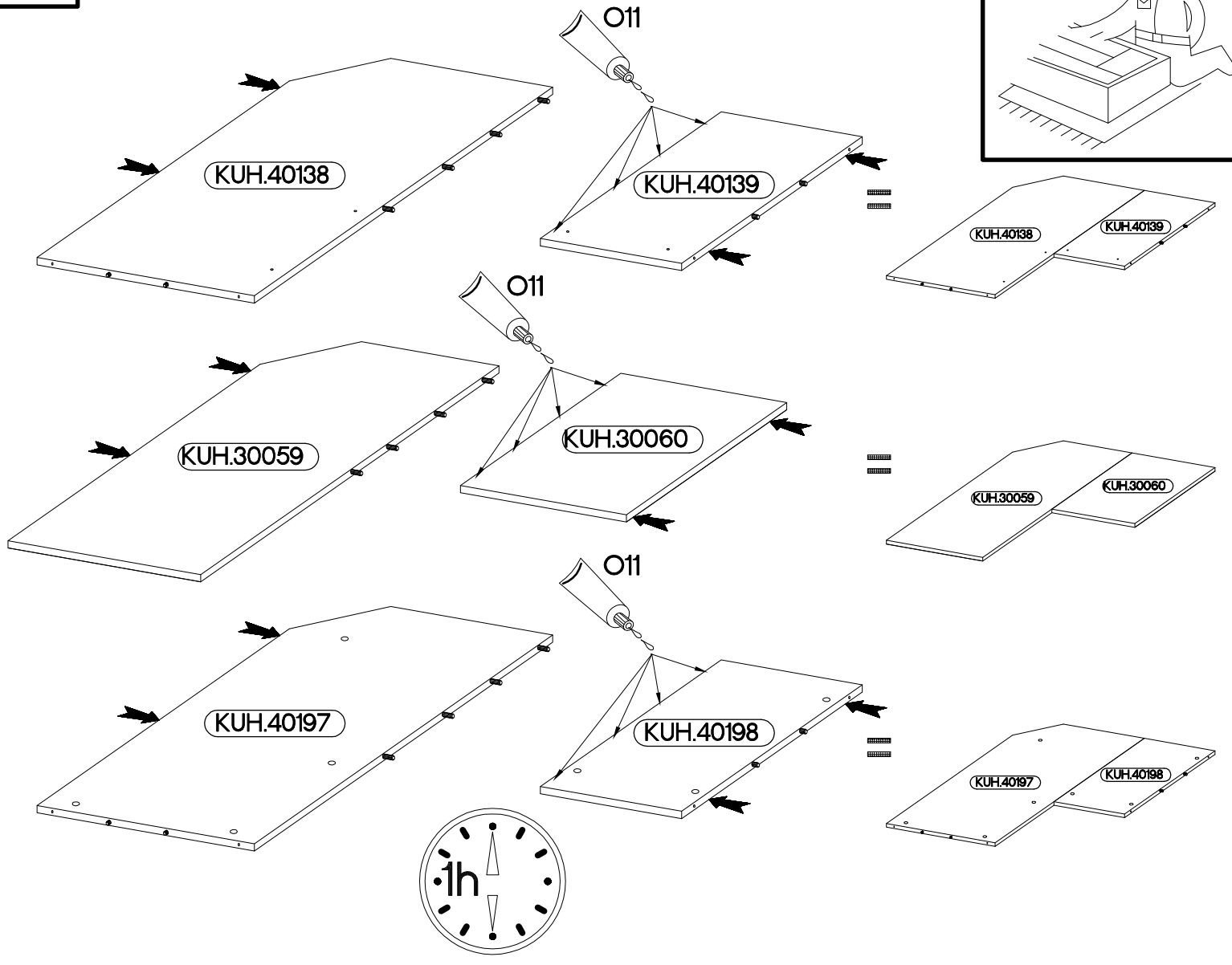
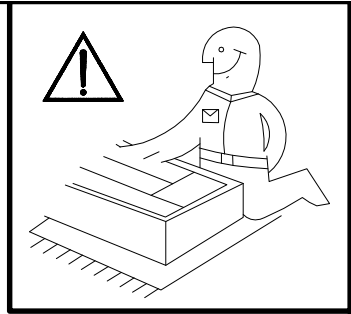
ISM-KUH-01811

1

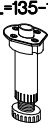

$\varnothing 8 \times 30 \text{mm}$  A 8	$\varnothing 8 \times 60 \text{mm}$  A2 12	0,05  O11 1
---	---	--

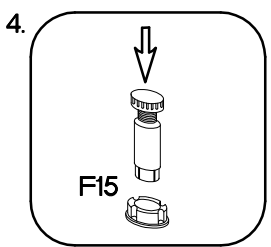
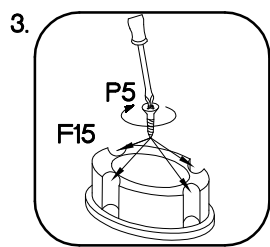
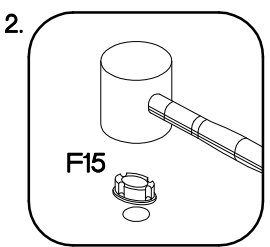
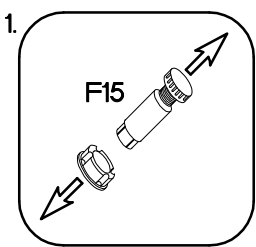
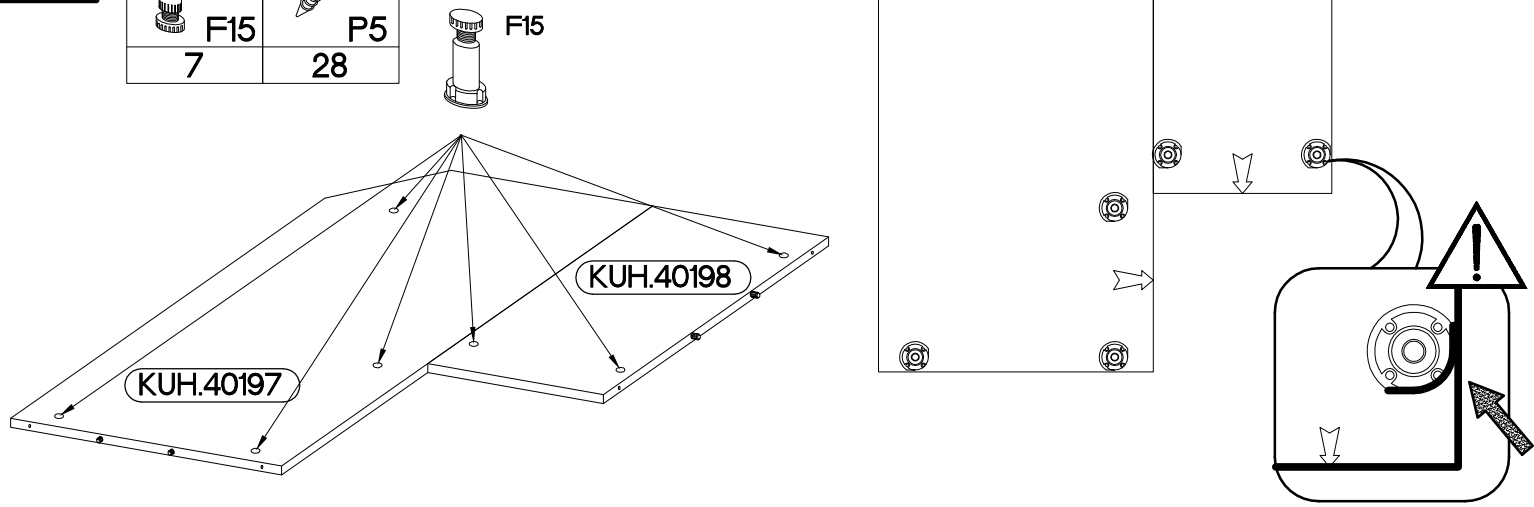


2

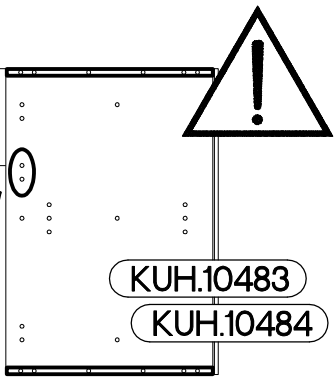
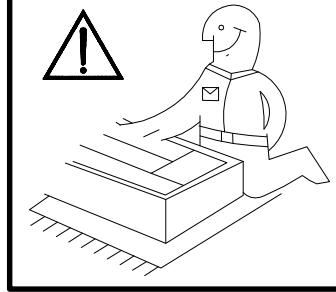
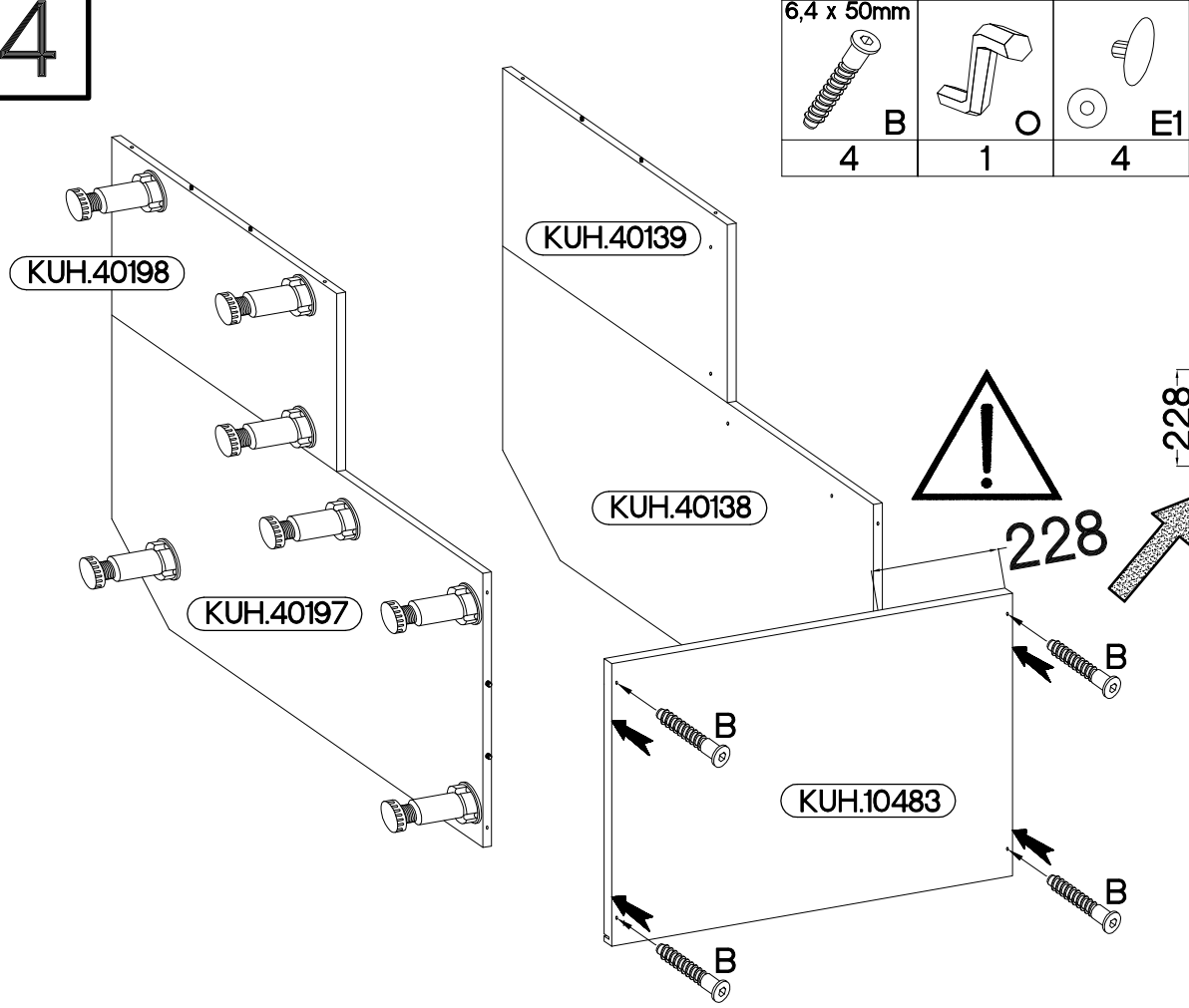


3

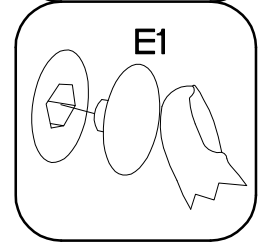
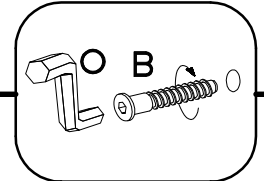
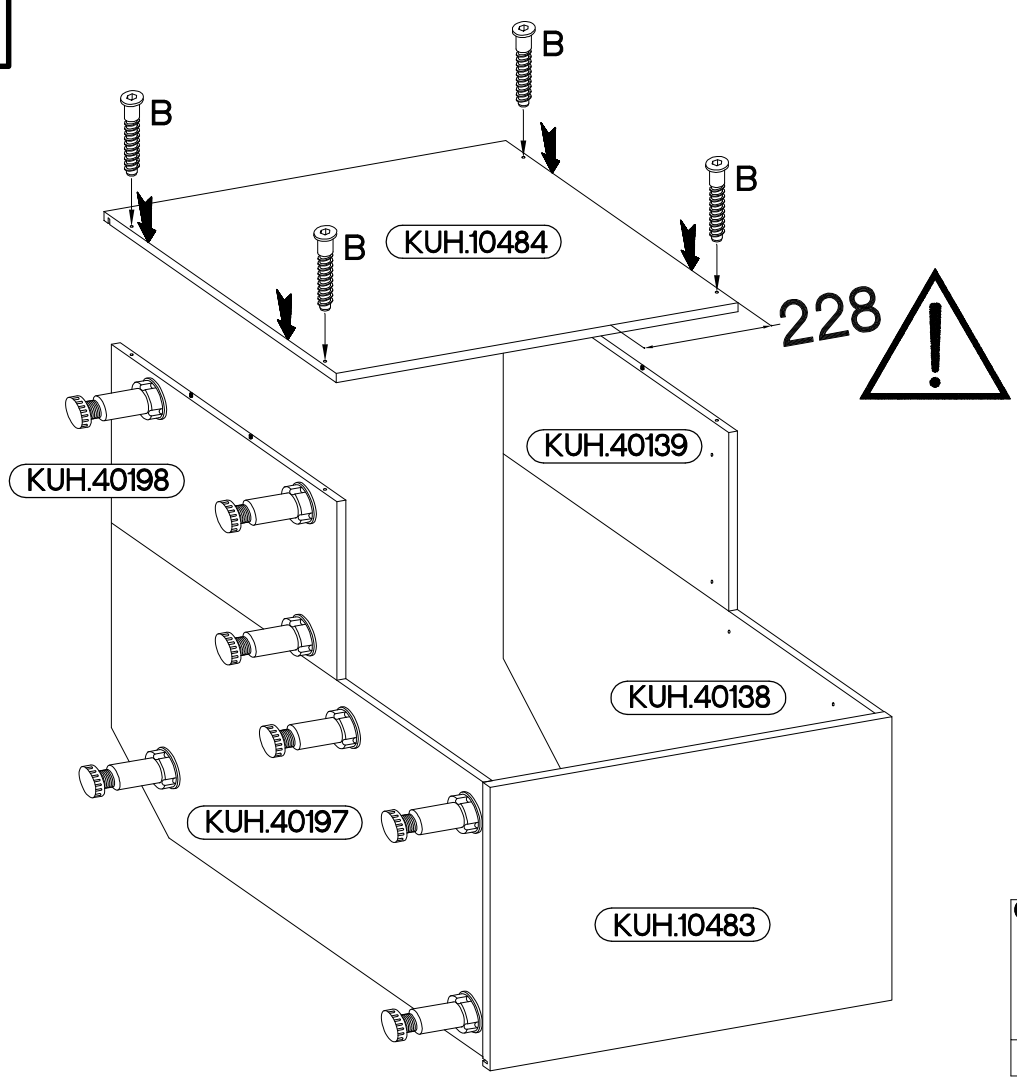
L=135-170cm	±3.5x13mm
	
F15	P5
7	28



4



5



6,4 x 50mm

B	O	E1
4	1	4

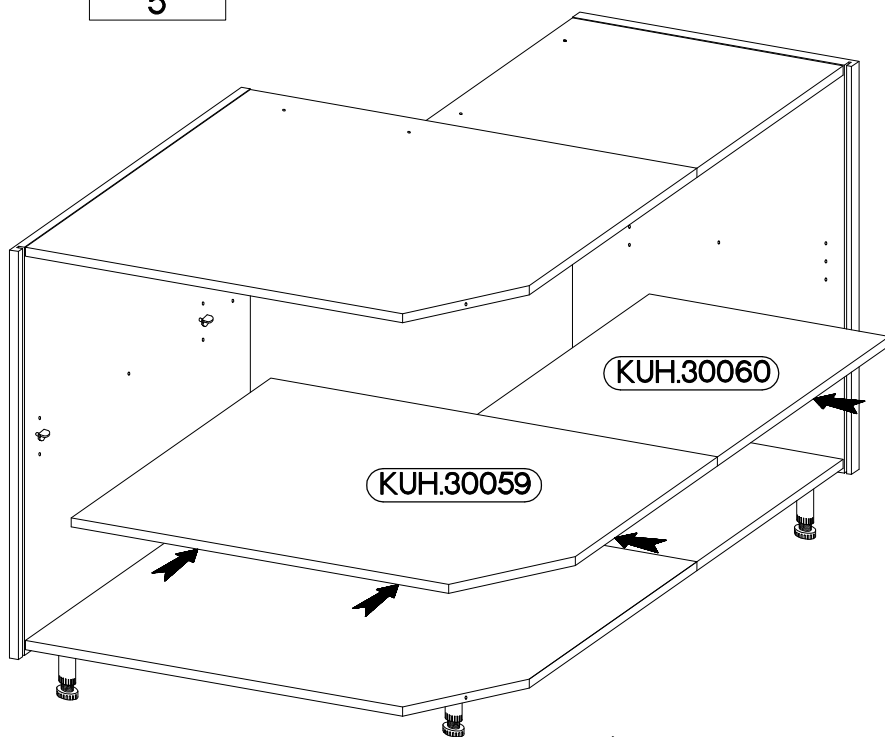
6

+5/19mm



J

5

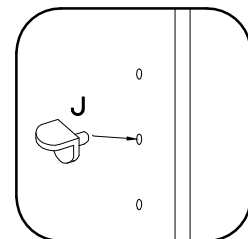


320mm



KUH.90295

336mm



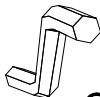
7

6,4 x 50mm



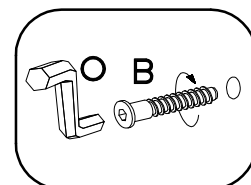
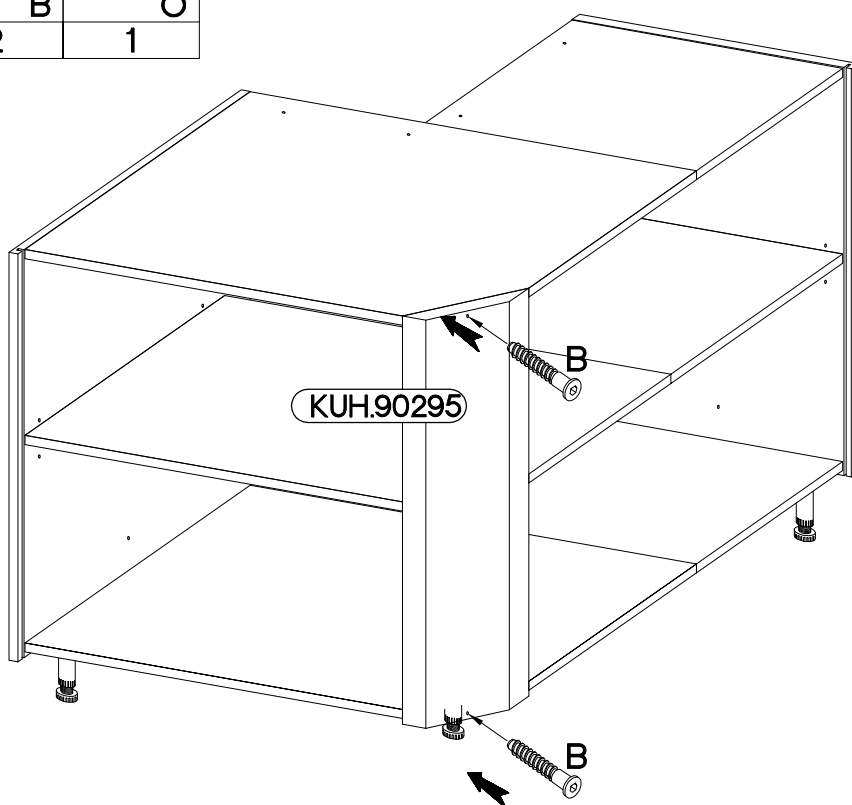
B

2



O

1



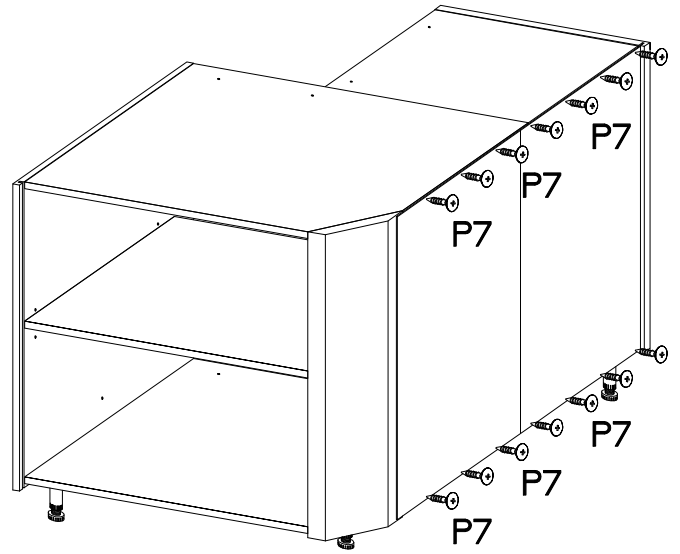
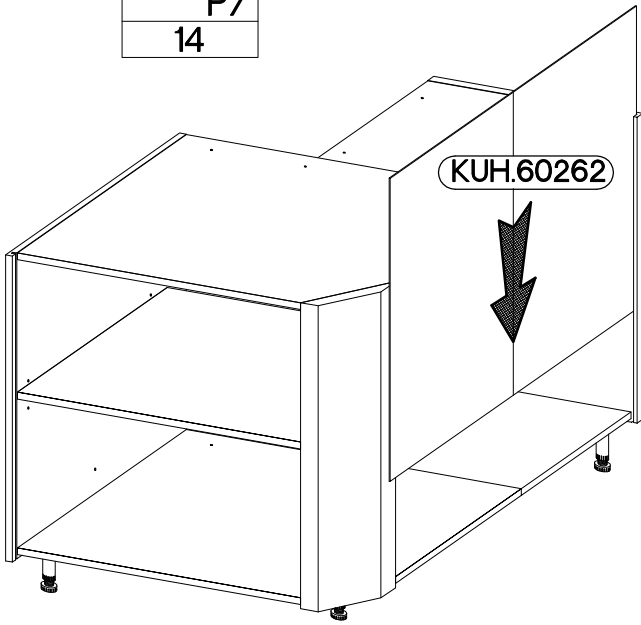
8

±3.0x20mm



P7

14



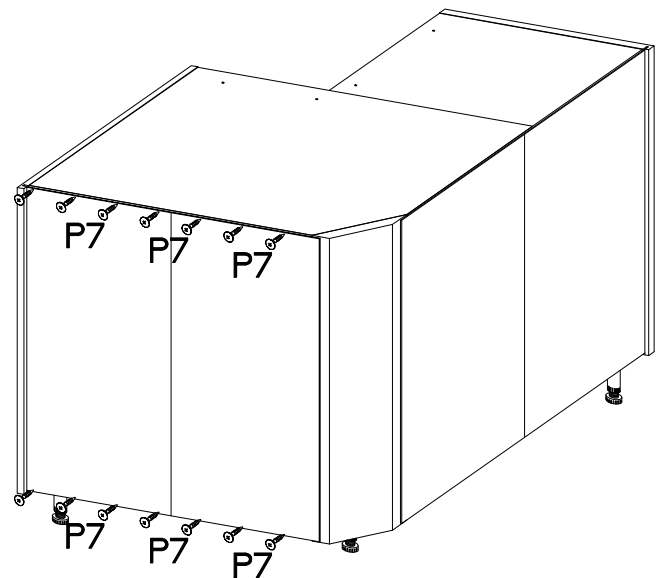
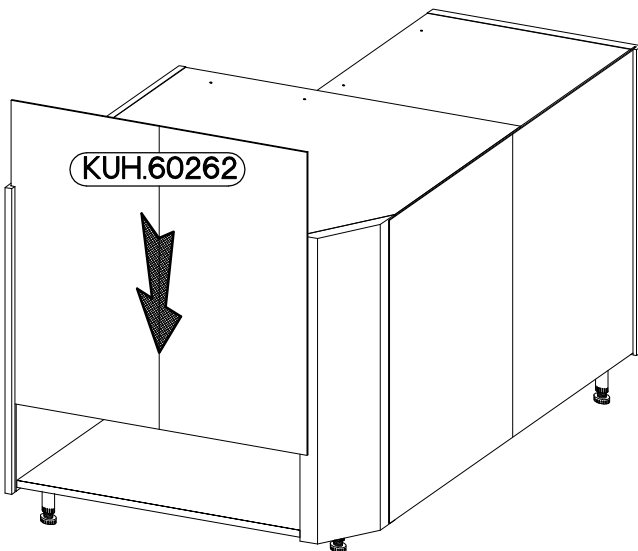
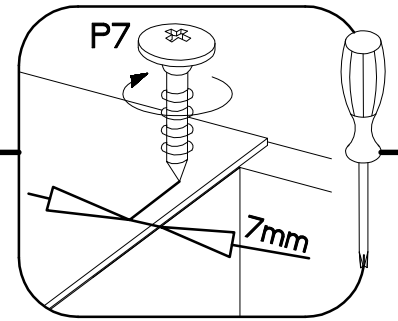
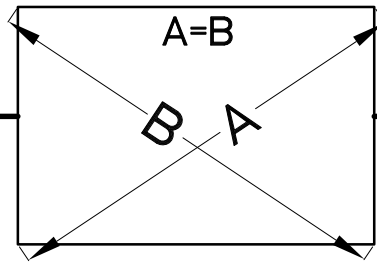
9




±3.0x20mm

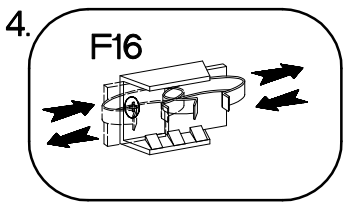
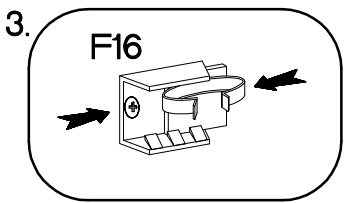
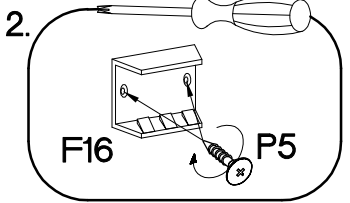
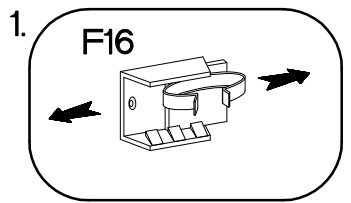
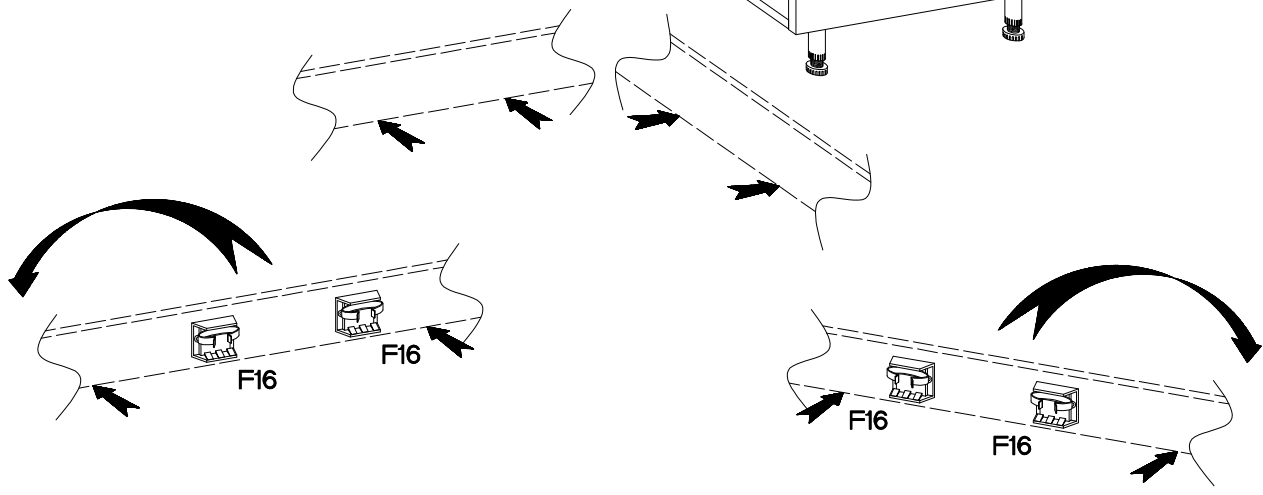
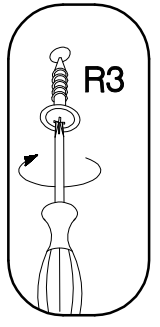
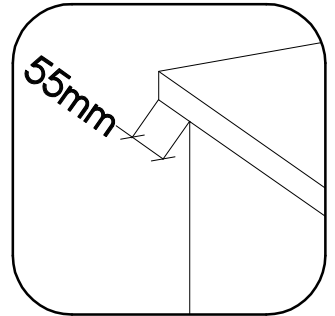
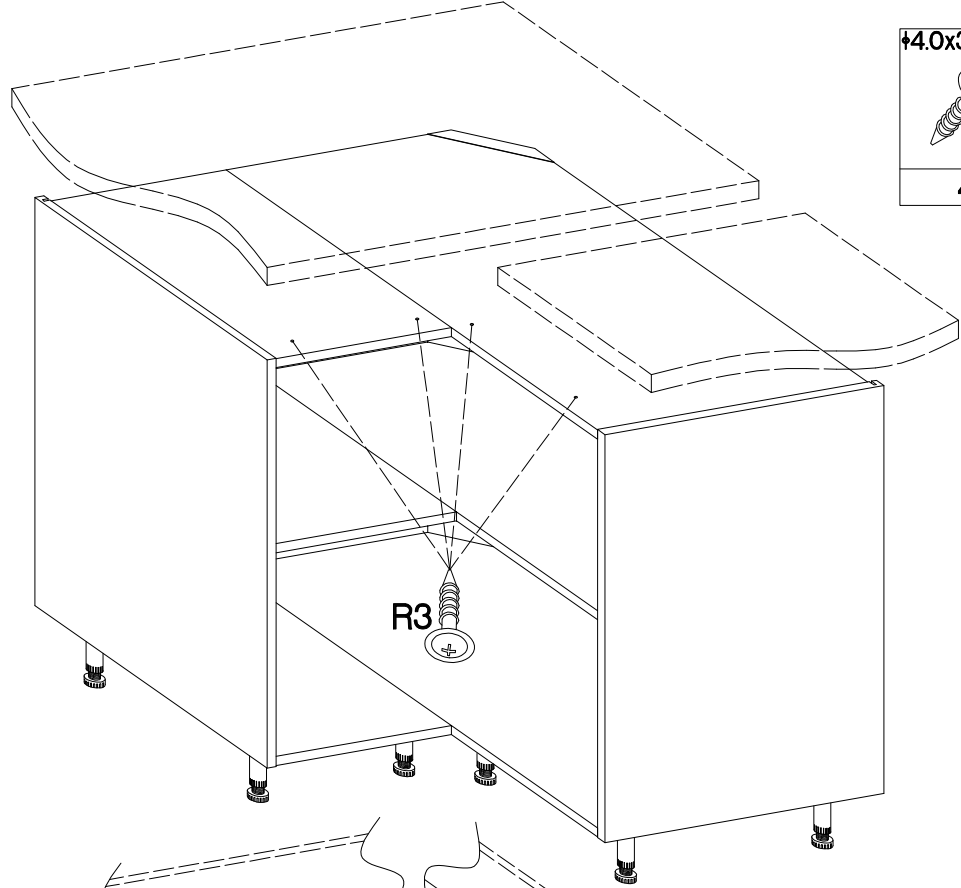


P7

14



 R3 4	 F16 4	 P5 8
--	---	--



FRONT

